

SW75s

istituto sperimentale per l'edilizia s.p.a.

ISTEDIL

Autorizzato all'esecuzione delle prove ai sensi e per gli effetti dell'Art. 20 della legge del 5-11-71 n. 1086 con Decreti Ministero LL. PP. Autorizzato alle certificazioni CE - Notificato CEE n. 0529

SEDE LEGALE - UFFICI E LABORATORI: 00012 Guidonia M. (Roma) Loc. Setteville - Via Tiburtina Km 18,300 - Tel. 0774/353580 r.a. - Fax 0774/353762

PERUGIA - 06132 S. Sisto Loc. S. Andrea delle Fratte - Via Maccheroni s.n.c. - Tel. 075/5271717 - Fax 075/5271705

LATINA SCALO - 04013 Loc. Tor Tre Ponti - Via Carrara, 12/a - Tel. 0773/630137 - Tel. e Fax 0773/630217

SASSARI - 07100 Loc. Predda Niedda - Strada 25 - Tel. e Fax 079/260581

www.istedil.it
E-mail: info@istedil.it

TEST REPORT n° 203/2006-G

Guidonia M. 11/05/2006

Results of calculation of thermal transmittance of frame profile, with numerical method, carried out on 27/04/2006.

Geometrical and structural characteristics of the text-piece are given in the attached description sheet, supplied by the Customer, which form an integral part of this test report.

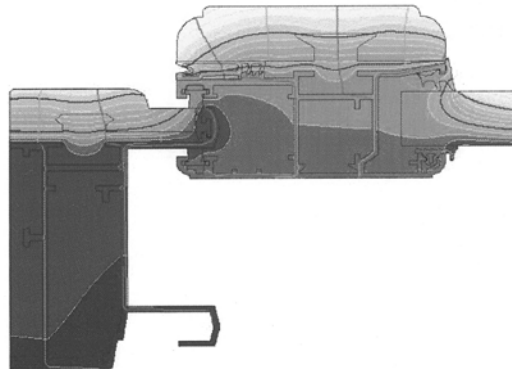
CUSTOMER : STARPUR S.r.l.

DECLARED DATA

Product name : SW 75s side joint
Frame : ALUMINUM-WOOD

Thermal conductivity of materials:

| | | |
|------------------|---------|-------|
| Aluminum | 160.000 | W/m°K |
| EPDM | 0.250 | W/m°K |
| Soft Wood | 0.130 | W/m°K |
| Insulation panel | 0.035 | W/m°K |



TEST PROCEDURE

Reference standard: UNI EN ISO 10077-2

Calculation program: PHISIBEL BISCO vers. 7.0w

TEST RESULTS

BISCO data file: sw75slaterale.bsc

THERMAL TRANSMITTANCE OF FRAME (UNI EN ISO 10077-2)

$$U_f = (Q / (t_i - t_e) - U_p \cdot w_p) / w_f$$

with:

Q = 18.632 W/m [total heat flow (frame+panel)]

t_i = 20.00 °C [internal temperature]

t_e = 0.00 °C [external temperature]

U_p = 1.705 W/(m².K) [thermal transmittance of the insulation panel]

w_p = 0.2387 m [projected width of insulation panel]

w_f = 0.1183 m [projected width of frame]

THERMAL TRANSMITTANCE OF FRAME U_f = 4.43 W/m² K

TEST REPORT n° 203/2006-G

